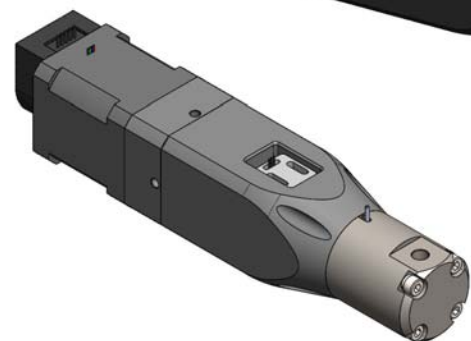
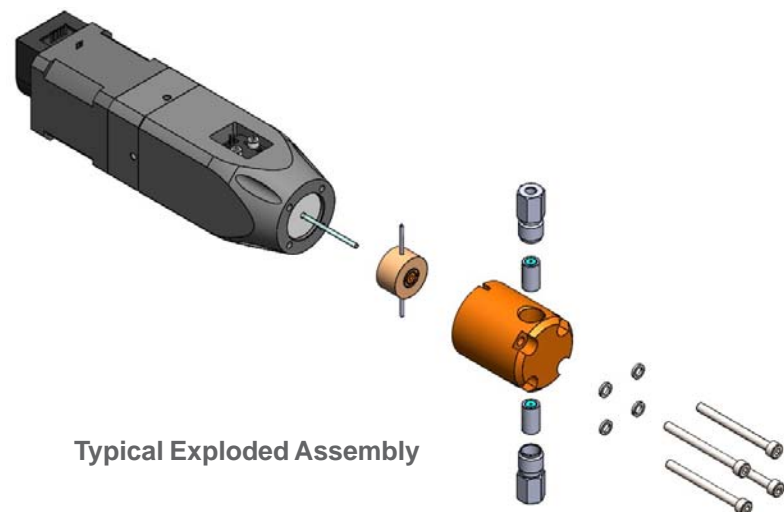


# PrimeLine™ Syringe Pumps

Standard Check Valve Configuration



Single Port and Encorder options



Typical Exploded Assembly

The PrimeLine Syringe Pump without integral drive/controller for stepper motor, check valves or other custom features are available, please contact us.

**OEM Inquiries are welcome!**

Analytical Scientific Instruments US, Inc.  
3023 Research Drive Richmond CA 94806 USA  
www.hplc-asi.com Phone: 510-669-2250 info@hplc-asi.com

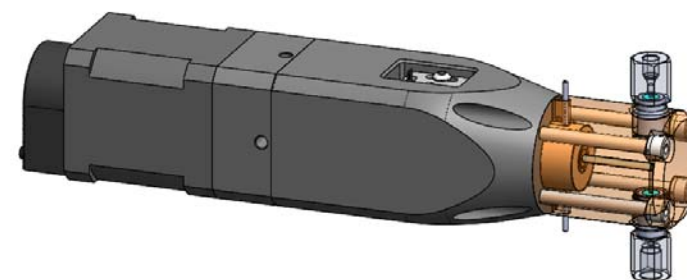
**ASI** Analytical Scientific Instruments US

Copyright © 2014 ASI - Analytical Scientific Instruments US, Inc.  
Rev.12\_01\_2017



## Features

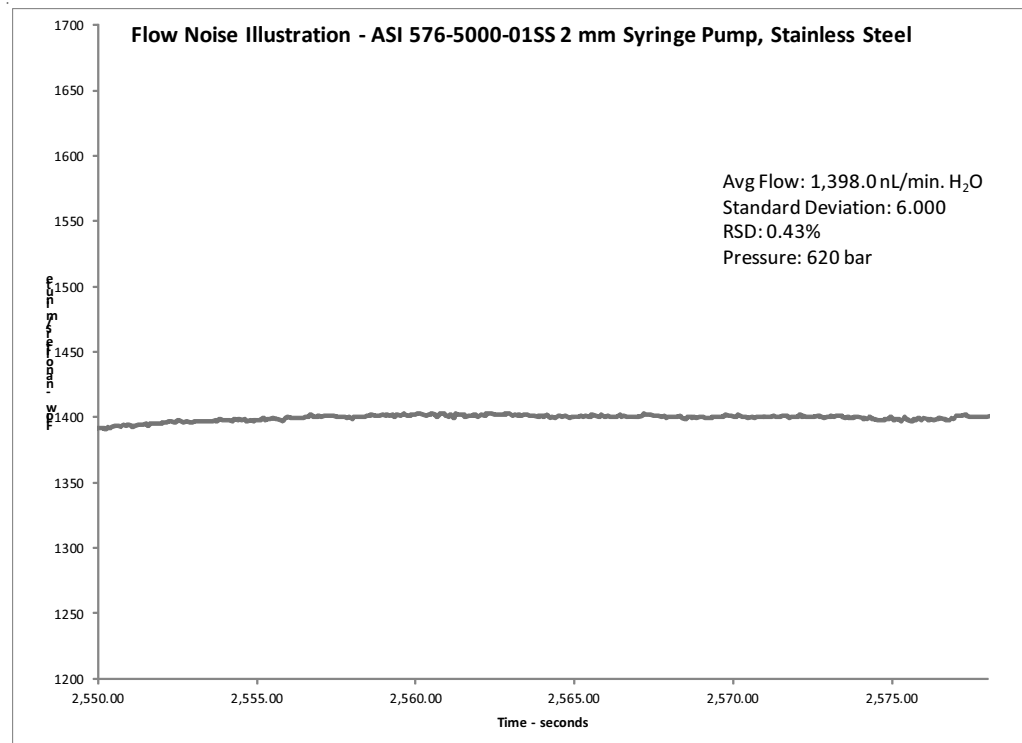
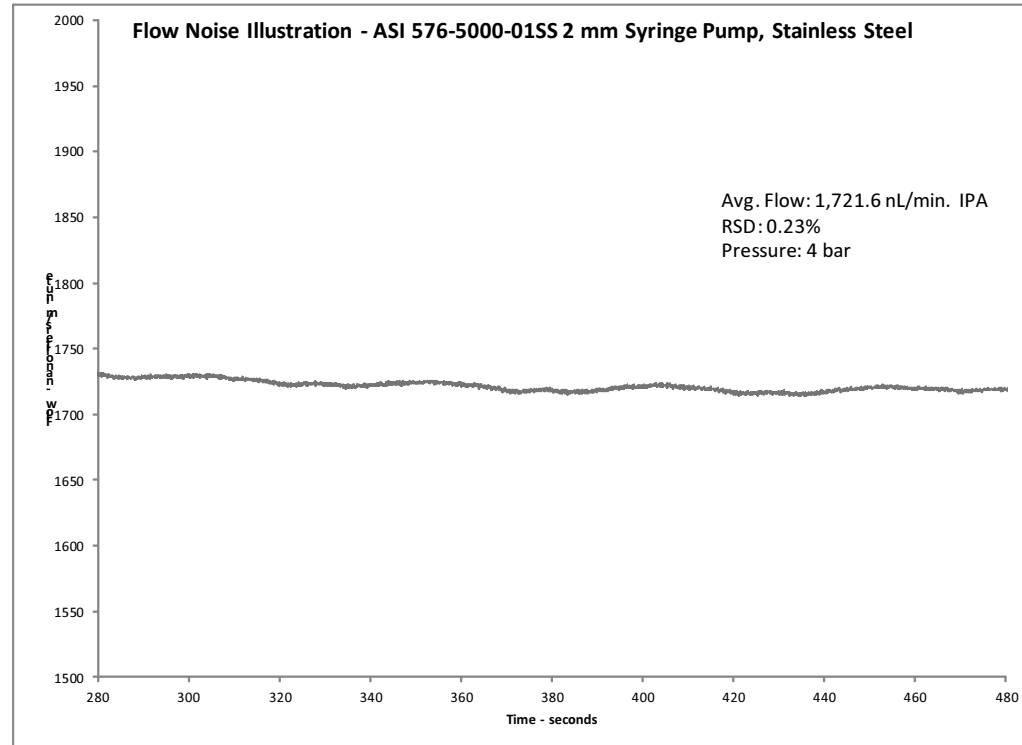
- Spring loaded check valves allow operation in horizontal or vertical mounting orientation
- Graphical user interface via USB connection
- Wash seal option for pumping buffers
- Stepper motor with drive/controller
- Available with high pressure stainless steel
- OEM & material options are available
- Modbus RTU, RS485 serial communications protocol for OEM software control



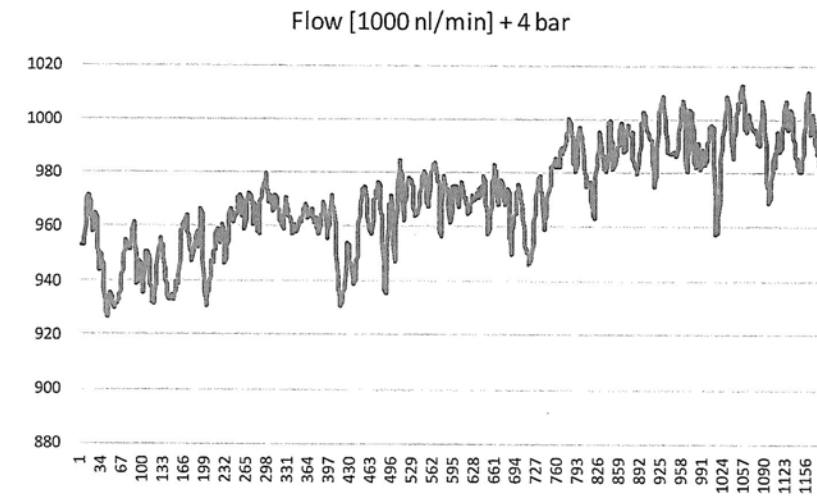
**ASI**

ASI Model 576 Syringe Pumps outperformed competitors in head-to-head engineering trials. Flow precision, was closed as the critical evaluation metric by an independent engineering team. ASI was best-in-class for low flow ( $\mu\text{L}/\text{min}.$ ) for pressures up to 9,000 PSI. Applications requiring such high precision includes: HPLC, LCMS, Sampling systems, Metering liquids and Sample preparation.

Unmatched flow precision at high pressure make the ASI 576 Syringe Pump the top choice for design engineers.

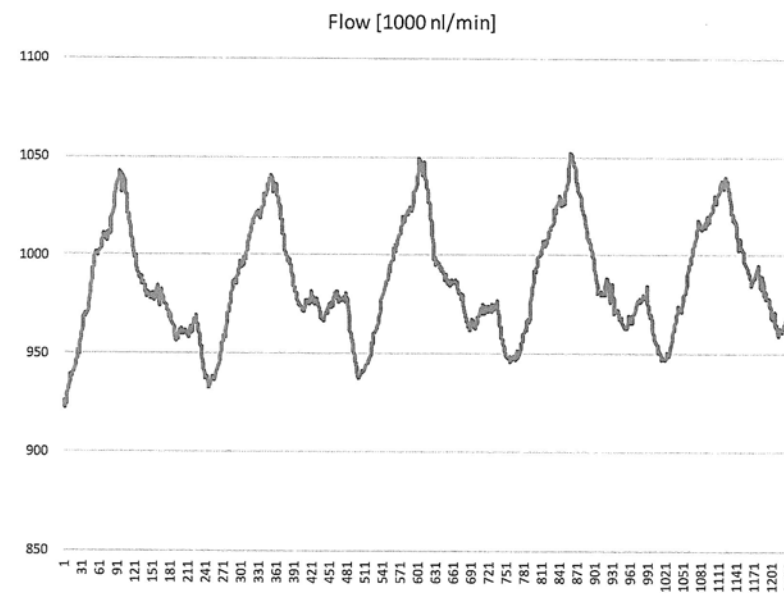


### Competitor #1



AVR 969,8231  
SD 18,80877  
RSD% 1,939402

### Competitor #2



AVR 986,626  
SD 28,10129  
RSD% 2,848221

### Specifications

#### Motor Description:

NEMA 17 triple stack step motor - pump controller with motor drive & controller

#### Power:

100 - 240 VAC, 50 - 60 Hz, 1 A Max

#### OEM Power Option:

24 VDC, 3A Max

#### Operating Temperature:

4 - 40° C

#### Dimensions:

11.2" L x 2.8" W x 3.9" H (with cover)

7.1" L x 1.7" W x 2.8" H (without cover)