

# Model 520 HPLC Pumps

- Designed with the chromatographer in mind
- Reliable, Low Cost Solution
- Isocratic or Gradient systems
- NEW Digital Software Control via DataApex Clarity 5.0!



## ASI 520 Series HPLC Pump Features

- ❖ **Self-priming Pump Head**  
Integral prime/purge  
Rapid solvent changes  
Pump primes itself — any solvent, any flow rate!
- ❖ **Patented Floating Pump Seal**  
Seal floats in *alignment* relative to piston
- ❖ **Micro, Analytical, Semi-Prep, and Prep pump heads available**
- ❖ **UHPLC analytical pump available**
- ❖ **Intuitive front panel control**  
Monitor key parameters via alphanumeric keypad and 4-line x 20-character LCD display  
Program and store up to 20 linkable methods of 20 program steps each, and max time/step of 650 minutes in 0.1 steps
- ❖ **Solvent Compressibility Compensation**  
User can select from a library of 15 solvents  
Fourteen additional user-configured solvents
- ❖ **Easy Maintenance**  
All user serviceable components are accessed via the front panel  
Cartridge seal design makes seal replacement easy

The ASI logo, consisting of the letters 'ASI' in a bold, blue, italicized sans-serif font.

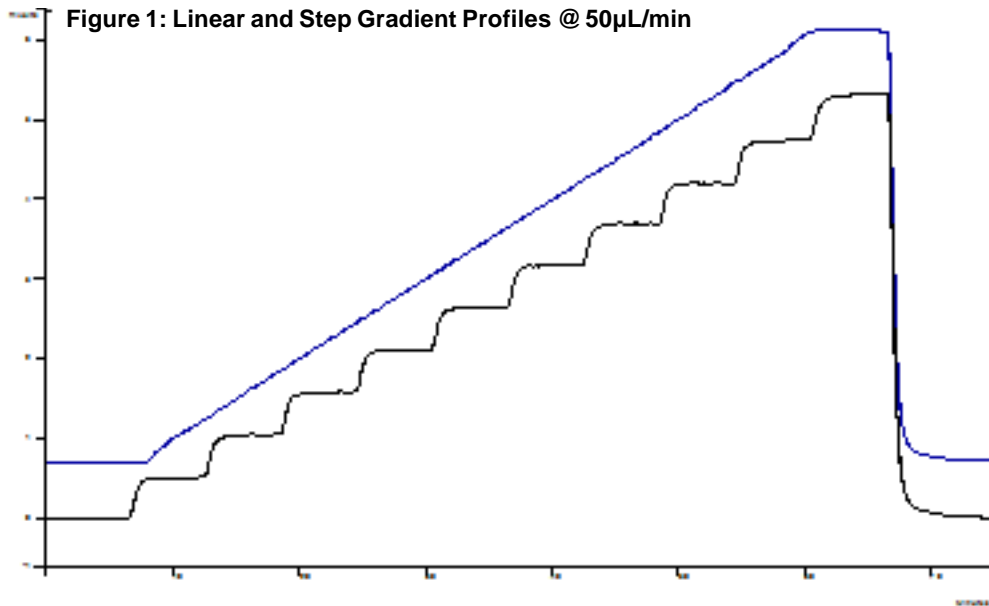
## ASI Model 520 Pumps Specifications

Model	521	520*	520G*
Configuration	Isocratic	Isocratic or Gradient	Gradient System
<b>Accuracy</b>			
	Micro:	±1% or 1 µL/min. (whichever greater)	
	Other:	±1% or 2 µL/min. (whichever greater)	
<b>Flow Range &amp; Max Pressure</b>			
	Micro:	0.5 µL/min. - 4 mL/min.	7,000 PSI Max
	Analytical:	5.0 µL/min. - 10 mL/min.	7,000 PSI Max
	Analytical UHPLC:	5.0 µL/min. - 1 mL/min.	15,000 PSI Max
		1 mL/min. - 10 mL/min.	7,000 PSI Max
	Semi – Prep:	10.0 µL/min. - 20 mL/min.	3,500 PSI Max
	Prep:	10.0 µL/min. - 125 mL/min.	1,500 PSI Max
<b>Precision</b>			
	Micro:	0.25%, 0.05 - 4 mL/min. @ 20°C	
	Other:	0.25%, 0.10 - 10 mL/min. @ 20°C	
<b>Pulsation</b>			
	1% Δ P/P @ 1,500 PSI pressure		
<b>Dimension Weight</b>			
	10.25" (26cm) W x 14" (35.5cm) D x 6.5" (16.5cm) H, 16 lbs. (7.3Kg)		
<b>Power</b>			
	85~264 VAC, 47~63 Hz, 60 W		

\*Alphanumeric keypad programming control of gradient profiles with step and linear profiles at multiple levels. Store up to 20 linkable files with up to 20 program steps, and max time/step of 650 minutes in 0.1 steps. Remote control provided via external contact closure or RS-232. Concentration range setting: 0-100% in 1.0% steps.

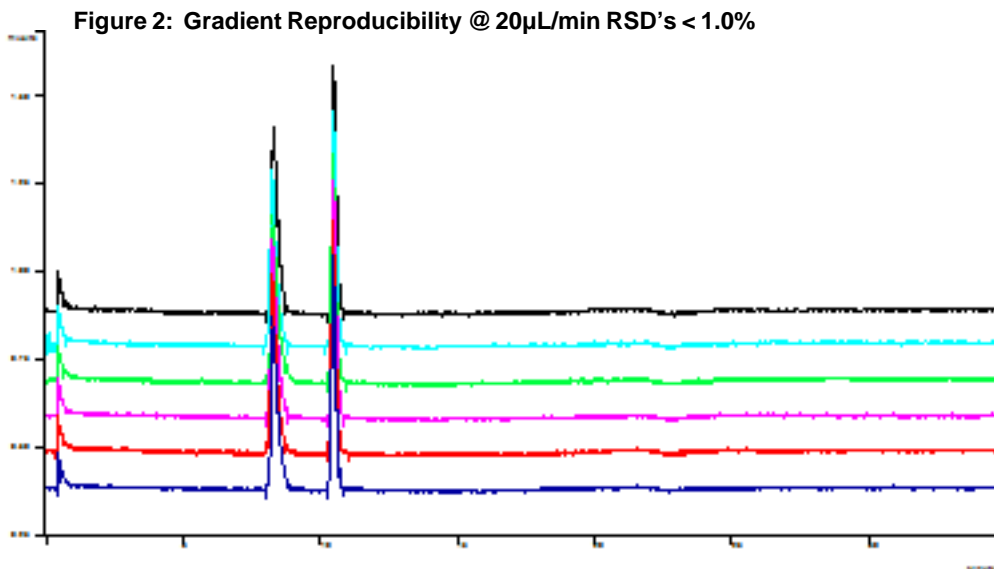
**OEM inquiries are welcome**

# ASI/ Performance Data



**HPLC System:**  
ASI Micro Head  
Detection: UV214  
Mixer: ASI HyperShear In-Line 25  $\mu$ L

**HPLC Conditions:**  
MP: A = H<sub>2</sub>O, B = H<sub>2</sub>O doped with 0.05% red dye  
Flow Rate: 50 $\mu$ L/min  
Step Gradient: 0 to 100% B in 60 min., 10% steps  
Linear Gradient: Same, 4 min. T0 hold

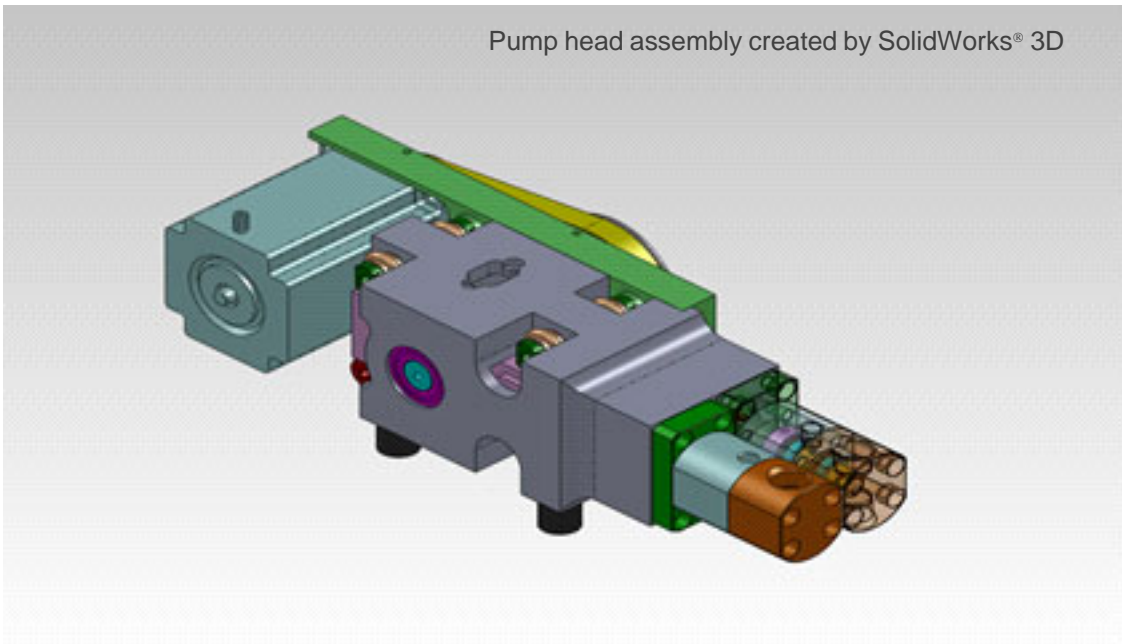


**HPLC System:**  
ASI Micro Head  
Detection: UV214  
Mixer: ASI HyperShear In-Line 25  $\mu$ L

**HPLC Conditions:**  
MP: A = H<sub>2</sub>O, B = H<sub>2</sub>O doped with 0.05% red dye  
Flow Rate: 20 $\mu$ L/min Gradient: 5 to 95% B in 20 min  
Sample: Methyl and Ethyl Parabens



Pump head assembly created by SolidWorks® 3D



## OEM inquiries are welcome

**We are pleased to announce that all AS/500 series pumps are now supported by DataApex's Clarity 5.0 chromatography software!**

Clarity will acquire, analyze and manage data from any analog output LC, GC or peripheral— four instruments with 12 detectors max.

The Clarity LC Module provides digital control for 400+ chromatographic devices and related peripherals.

Finally, Clarity is FDA 21 CFR part 11 compliant.

**Analytical Scientific Instruments US, Inc.  
3023 Research Drive Richmond CA 94806 USA  
www.hplc-asi.com  
Ph:800-344-4340  
Customer Service: info@hplc-asi.com**